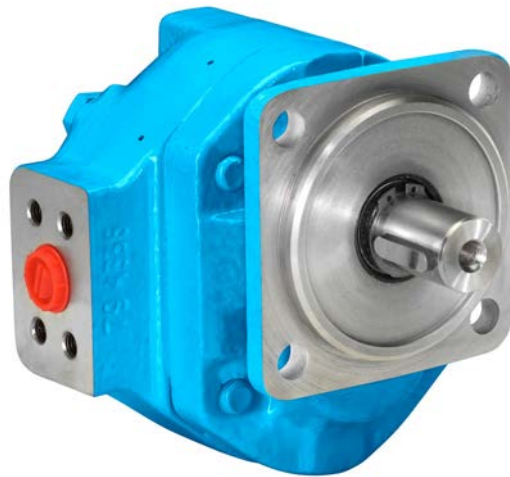


Fluidea

...we know how!



Gear pumps WA 32 & 40 1.01.06

Index:

Operating parameters:	Page 3
Technical features and seal configuration series WA32	Page 4
Overall dimensions series WA32:	Page 5
Shafts and mounting flanges series WA32:	Page 6
Ports series WA32:	Page 7
Model coding series WA32:	Page 8
Technical features and seal configuration series WA40:	Page 9
Overall dimensions series WA40:	Page 10
Shafts and mounting flanges series WA40:	Page 11
Ports series WA40:	Page 12
Model coding series WA40:	Page 13

Operating parameters

Maximum outlet pressure:	See following pages
Inlet pressure:	See below*
Speed:	See following pages
Fluid temperature:	Minimum at start up -40°C Maximum continuous +80°C Maximum intermittent +100°C
Fluid viscosity:	Minimum at start up 2000 cSt Maximum continuous 250 cSt Minimum continuous 10 cSt Optimum 15-25 cSt
Contamination class:	ISO 4406 21/16/13 NAS 1638 9
Fluid speed:	Maximum (inlet) 2.5 m/sec Optimum (inlet) 1.5 m/sec
Fluids:	Hydraulic mineral oils HL e HLP (DIN 51524)
Rotation:	Clockwise (C), Counter-clockwise (A) and reversible (D), when available, view from shaft end

For characteristic diagrams (pressure - flow - efficiency - maximum power) and driving shaft loads, please consult the general technical data sheet available on our website.

* INLET CONDITIONS:

It's extremely important that pumps are installed in a way they can always be filled with fluid in any working conditions.

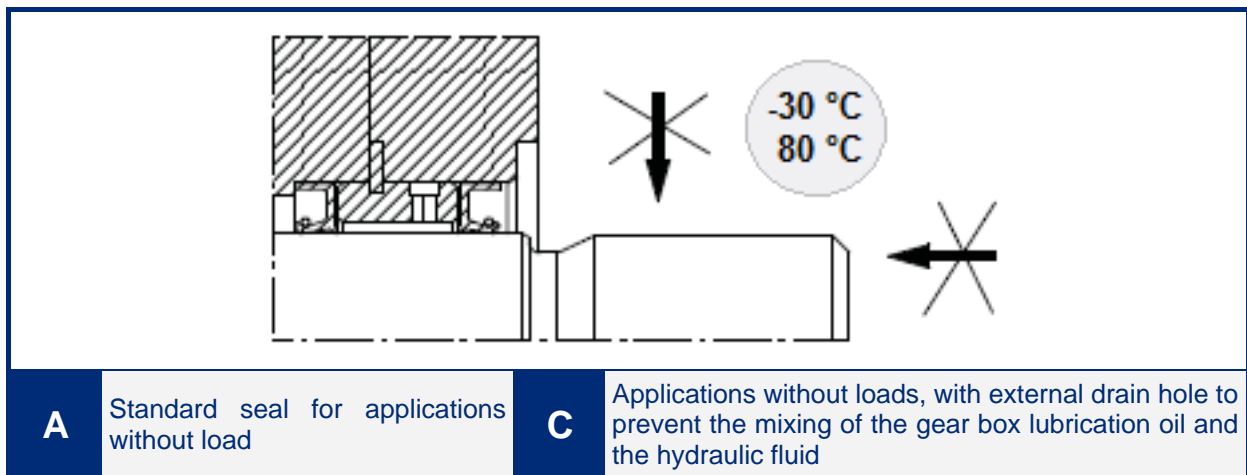
Pump inlet ports are designed to allow the complete filling, however it is recommended to observe the following advices in order to optimize pump performances and lifecycle:

- In suction lines, use large diameter pipes and fittings avoiding bending and long sections to minimize pressure losses; ensure that fluid speed doesn't exceed the values shown above.
- Never run pumps dry; ensure that all the valves on the inlet ports are opened.
- If needed, fill the inlet line with fluid and ensure that there are no bubbles.
- Special care is needed for fluids with high speed or high viscosity. As general rule, pressure at the inlet line should not be less than 0,8 bar absolute with viscosity of 23 cSt

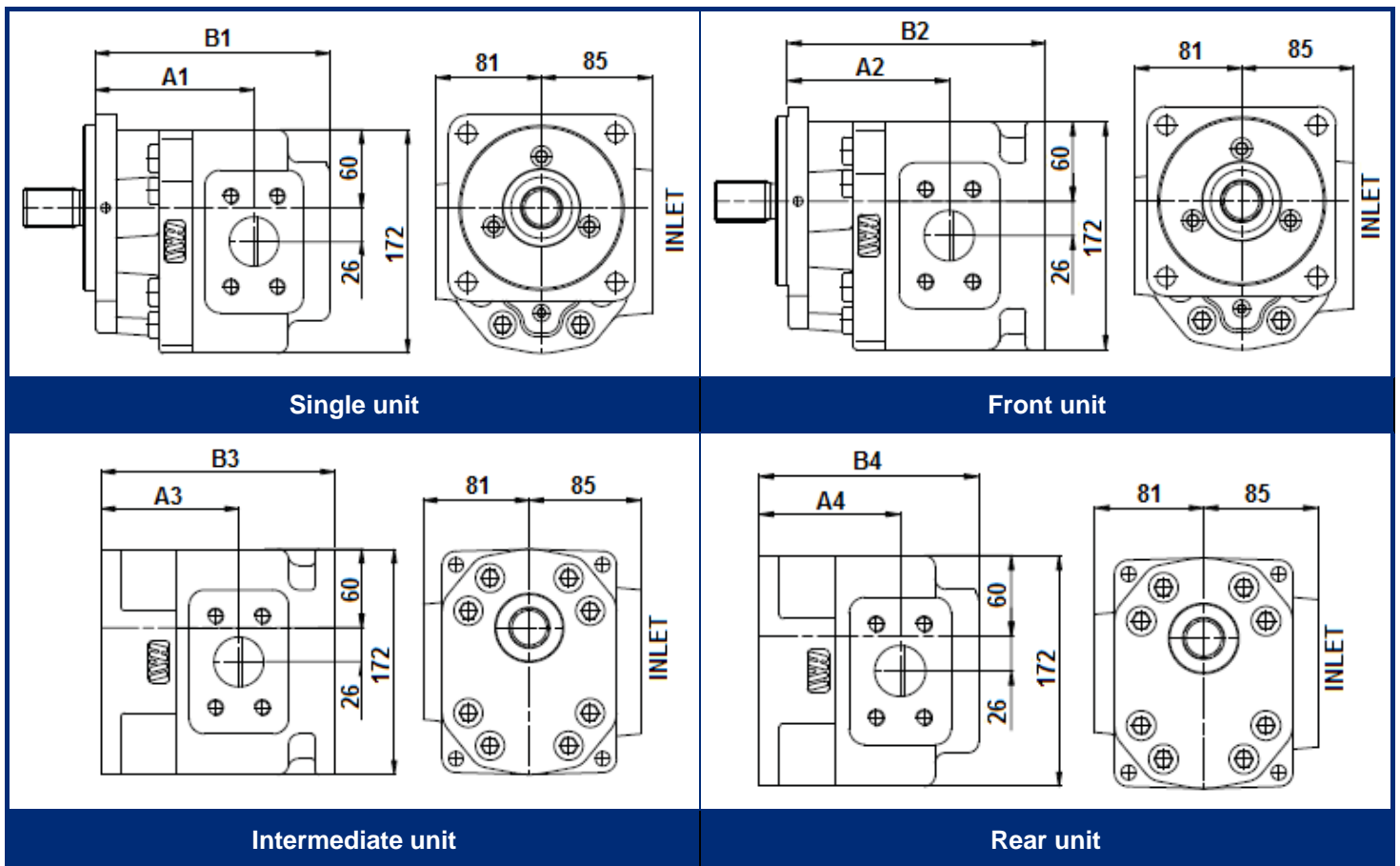
Technical features

Model	32045	32055	32063	32072	32085	32100
Displacement (cc/rev)	45	55	63	72	85	100
Working pressure (MPa)	25					21
Maximum speed (RPM)	3000					

Seal configurations



Overall dimensions



Model	Single unit		Front		Intermediate		Rear	
	A1	B1	A2	B2	A3	B3	A4	B4
32045	118	176,5	118	191	100,5	173,5	100,5	159
32055	118	176,5	118	191	100,5	173,5	100,5	159
32063	122,5	181	122,5	195,5	105	178	105	163,5
32072	127,5	186	127,5	200,5	110	183	110	168,5
32085	134	192,5	134	207	113,5	189,5	116,5	175
32100	143	201,5	143	216	125,5	198,5	125,5	184

Shafts

<p>Spline SAE C 1-1/4" L=47,6 mm</p> <p style="text-align: right;">C</p>	<p>Solid Ø1-1/4" with key</p> <p style="text-align: right;">G</p>

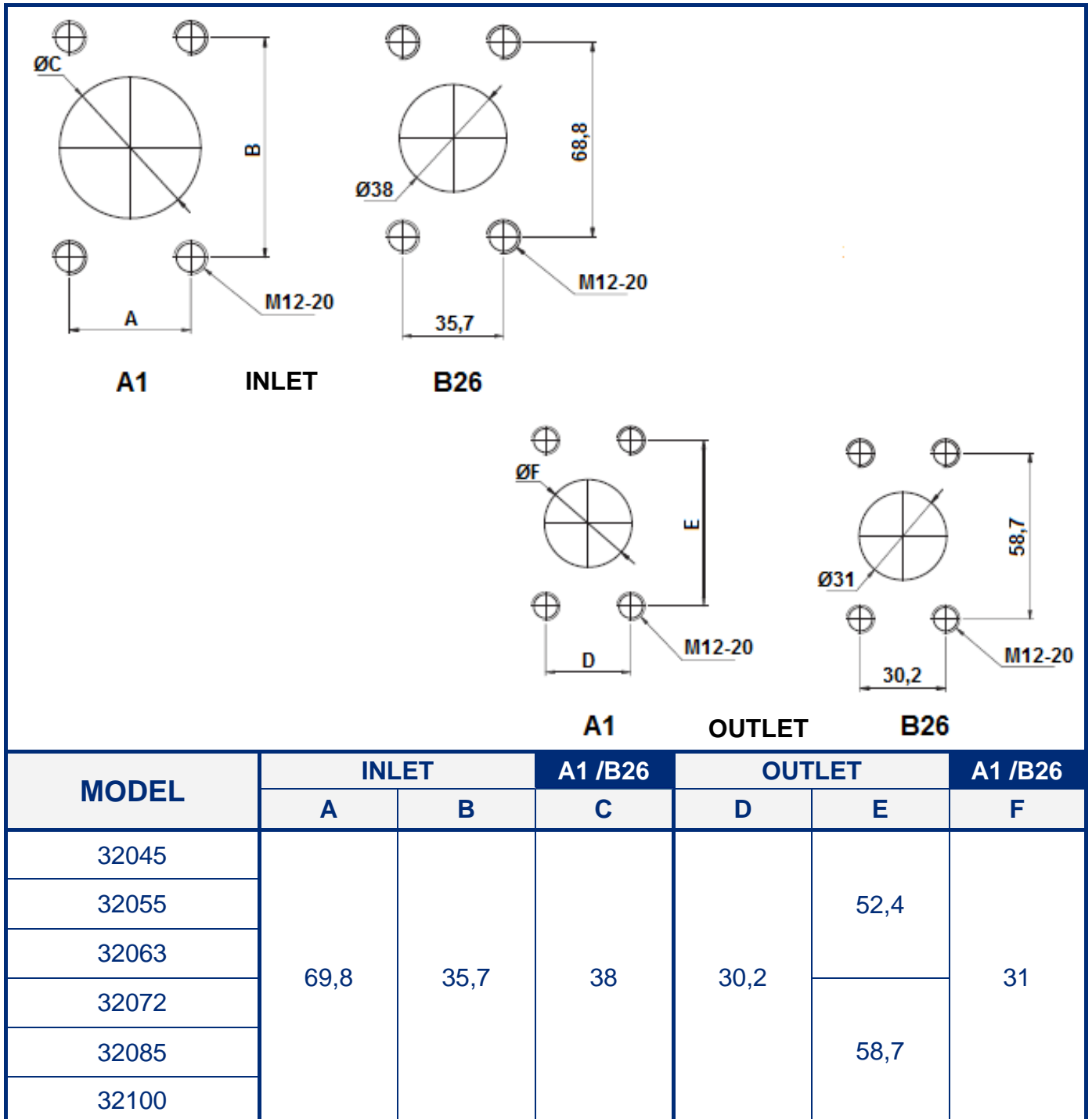
OPTION	SIZE	SIDE FIT	DIAMETRAL PITCH	ANGLE OF PRESSURE	NUMBER OF TEETH	EXTERNAL DIAMETER
C	SAE C 1-1/4"	Flat root	12/24	30°	14	31,20/31,12

Mounting flanges

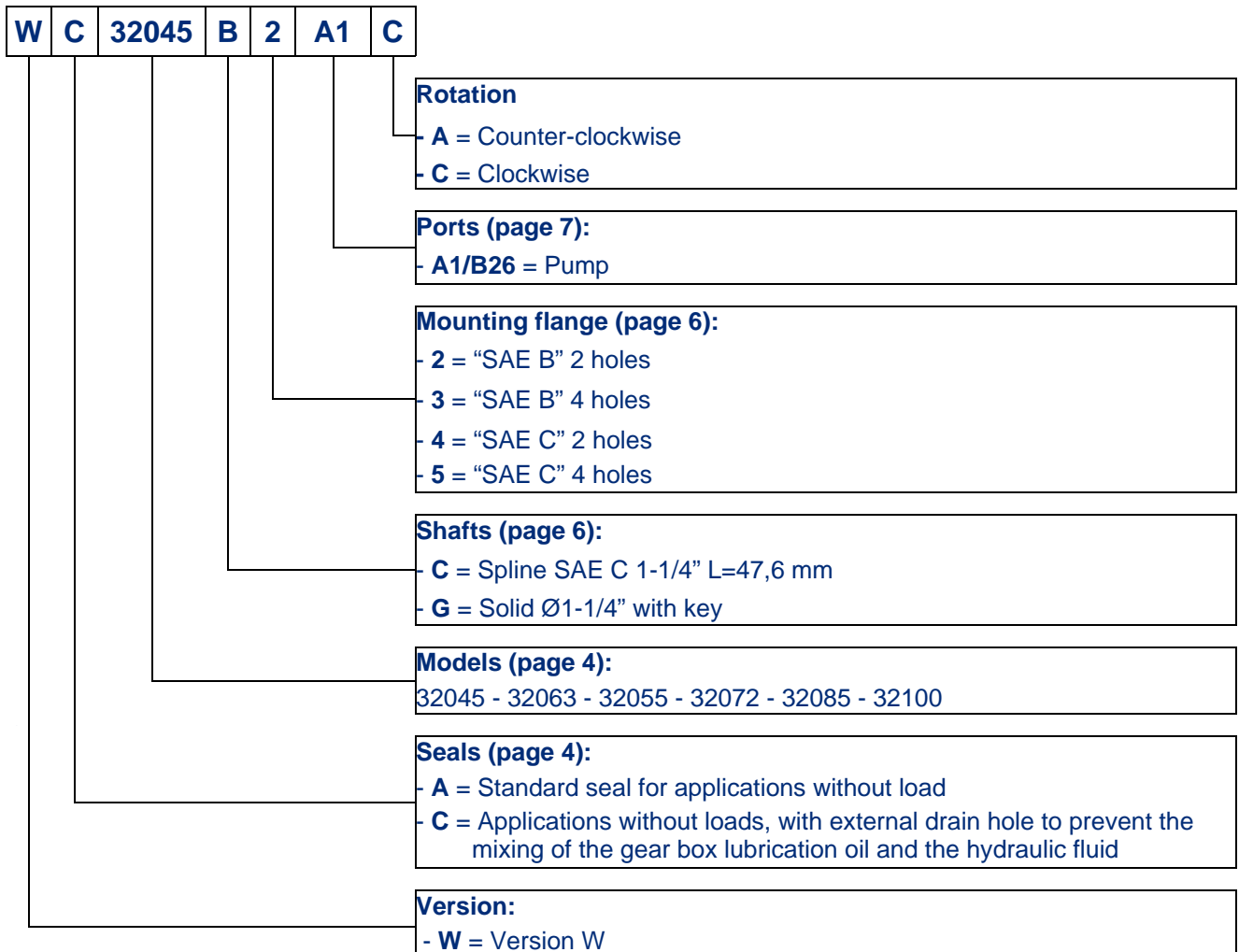
<p>SAE B 2 HOLES</p> <p style="text-align: right;">2</p>	<p>SAE B 4 HOLES</p> <p style="text-align: right;">3</p>
<p>SAE C 2 HOLES</p> <p style="text-align: right;">4</p>	<p>SAE C 4 HOLES</p> <p style="text-align: right;">5</p>

* Standard mounting flange surface.

Ports



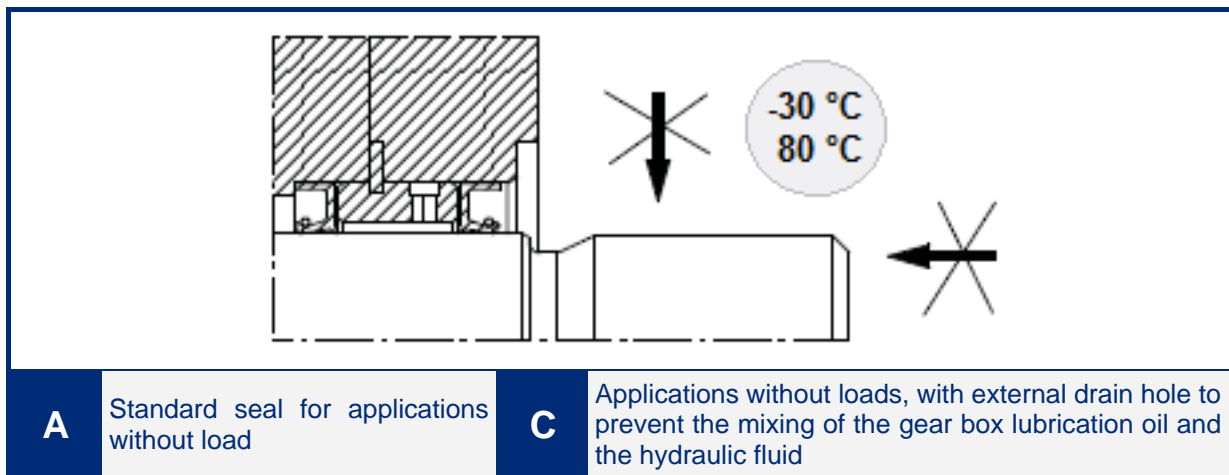
Model coding



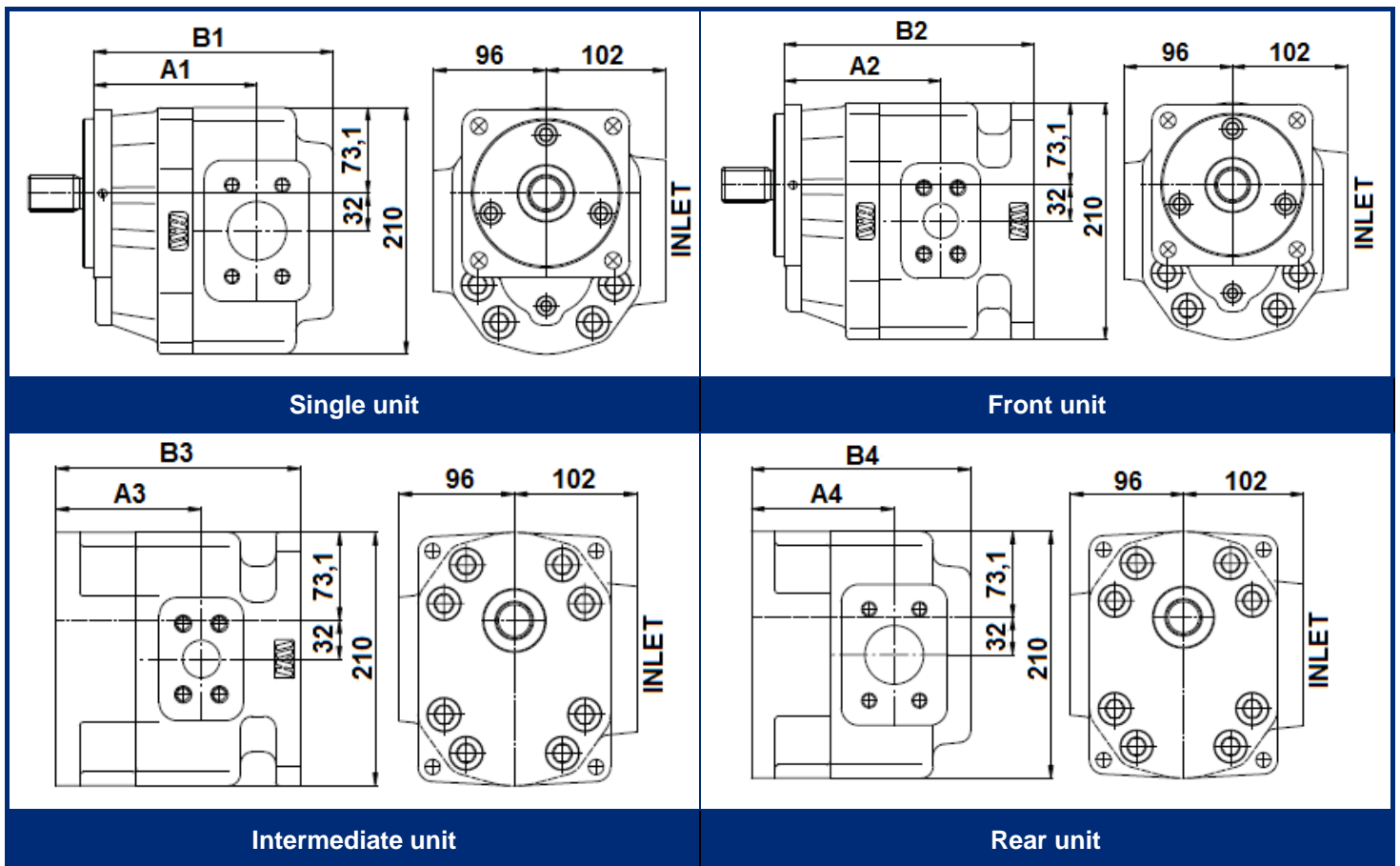
Technical features

Model	40100	40118	40137	40155	40176	40200
Displacement (cc/rev)	100	118	137	155	176	200
Working pressure (MPa)	25				21	20

Seal configurations

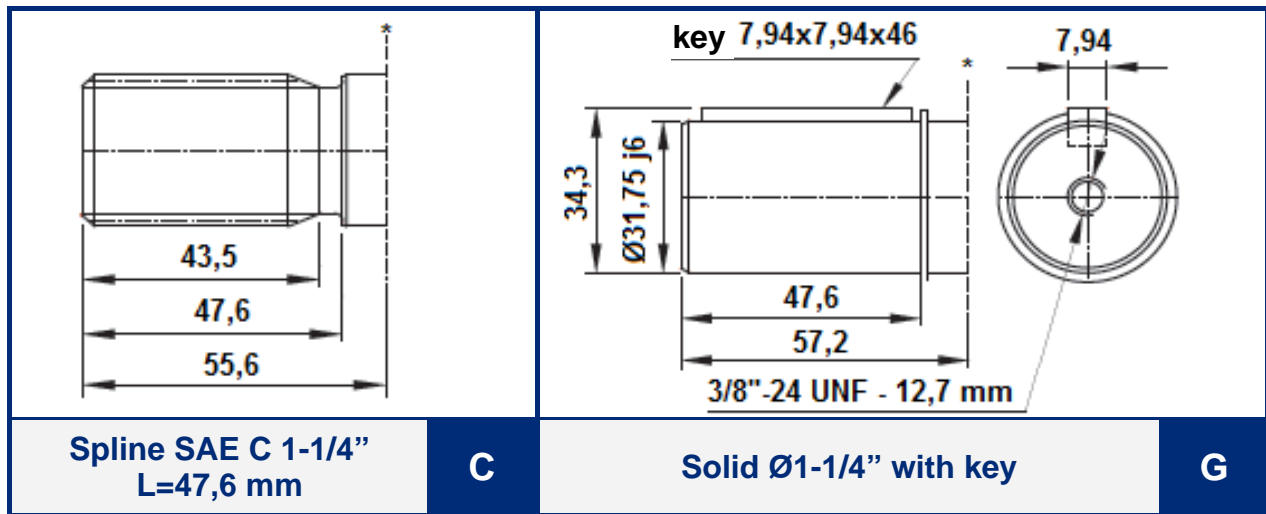


Overall dimensions



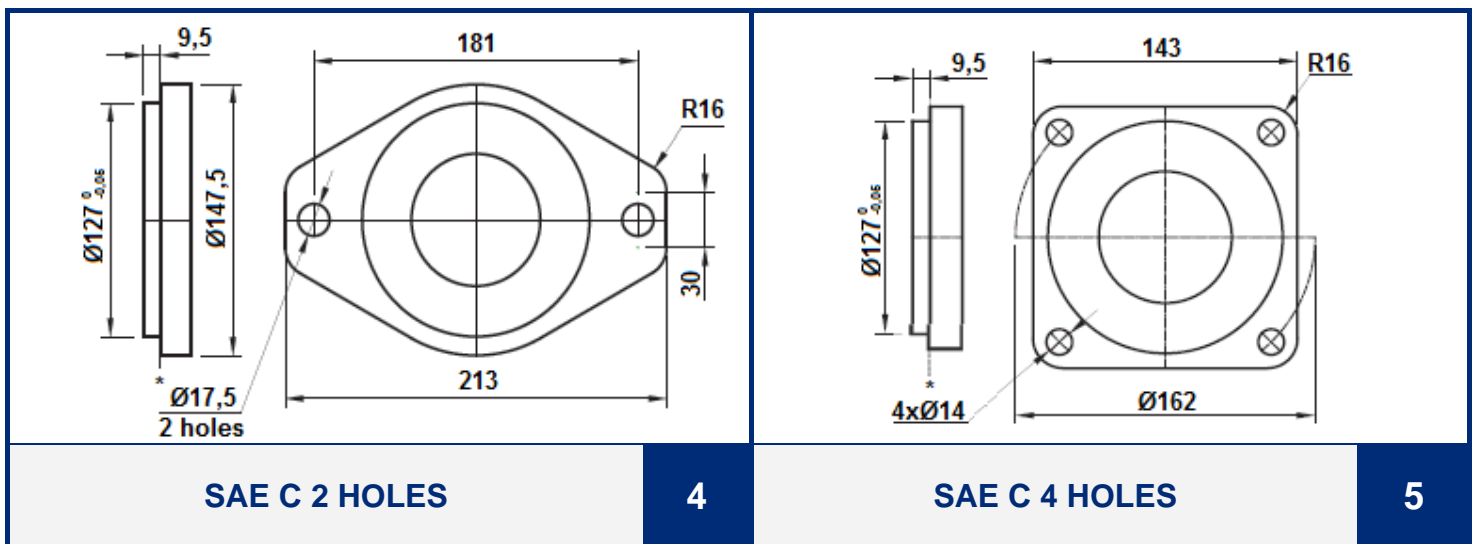
Modello	Single unit		Front		Intermediate		Rear	
	A1	B1	A2	B2	A3	B3	A4	B4
40100	139	204,5	139,5	221,5	121,5	203,5	121	186,5
40118	146	211,5	146,5	228,5	128,5	210,5	128	193,5
40137	152,5	217,5	153,5	235,5	135	217	134,5	199,5
40155	139	223,5	139,5	241,5	121	223,5	121	205,5
40176	146,5	231,5	146,5	249,5	128,5	231	128,5	213
40200	155	239,5	155,5	257,5	137	239,5	137	221,5

Shafts



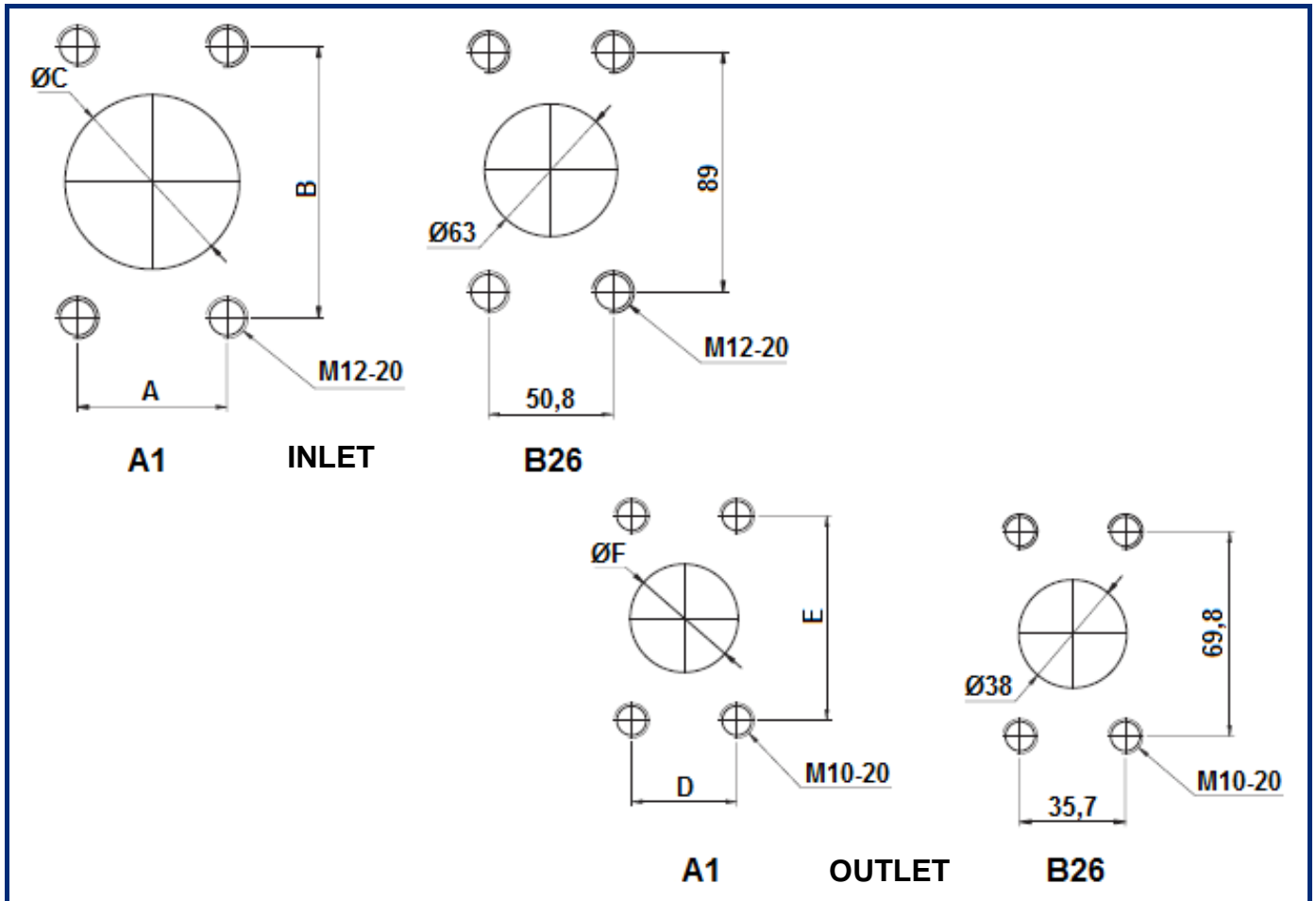
OPTION	SIZE	SIDE FIT	DIAMETRAL PITCH	ANGLE OF PRESSURE	NUMBER OF TEETH	EXTERNAL DIAMETER
C	SAE C 1-1/4"	Flat root	12/24	30°	14	31,20/31,12

Mounting flanges



* Standard mounting flange surface.

Ports



MODEL	INLET		A1 /B26	OUTLET		A1 /B26
	A	B	C	D	E	F
40100	35,7	69,8	38	30,2	58,7	31
40118	42,8	77,8	50			
40137						
40155	50,8	89,0	63	35,7	69,8	38
40176						
40200						

Model coding

W	C	40100	B	2	A1	C
<p>Rotation</p> <ul style="list-style-type: none"> - A = Counter-clockwise - C = Clockwise 						
<p>Ports (page 12):</p> <ul style="list-style-type: none"> - A1/B26 = Pump 						
<p>Mounting flange (page 11):</p> <ul style="list-style-type: none"> - 4 = "SAE C" 2 holes - 5 = "SAE C" 4 holes 						
<p>Shafts (page 11):</p> <ul style="list-style-type: none"> - C = Spline SAE C 1-1/4" L=47,6 mm - G = Solid Ø1-1/4" with key 						
<p>Models (page 10):</p> <p>40100 - 40118 - 40137 - 40155 - 40176 - 40200</p>						
<p>Seals (page 9):</p> <ul style="list-style-type: none"> - A = Standard seal for applications without load - C = Applications without loads, with external drain hole to prevent the mixing of the gear box lubrication oil and the hydraulic fluid 						
<p>Version:</p> <ul style="list-style-type: none"> - W = Version W 						

Design and production of remote control components & systems

The comprehensive range includes the following manufactured and marketed equipment:

- Hydraulic pumps and motors
- Directional control valves
- Proportional pressure reducing valves
- Hydraulic, pneumatic and electric joysticks
- Radio controls and electronic controllers
- Control pads, dashboards and armrests
- Ergonomic, cylindrical and palm grips
- Electro-hydraulics pilot blocks
- Hydraulic filters
- heat exchangers and cooling systems
- Fluid monitoring and diagnostic equipment
- Bell housings, driving flanges & elastic couplings



Fluidea



Registered Office:

Via Poggio,14 I-41014 Castelvetro di Modena
Tel.+39 059 741007 - Fax +39 059 8741652
info@fluidea.net - www@fluidea.net

Operating Plant:

Via Magazzino, 2586 I-41056 Savignano S/P (MO)
Tel. +39 059 8635156 - Fax +39 059 8635157
vendite@fluidea.net - progetti@fluidea.net