

Fluidea

...we know how!



Hydraulic proportional foot pedals PH 2.01.03

Index:

Description and technical features:	Page 3
Internal hydraulic circuits:	Page 4
Metering curves:	Pages 5-6-7
Overall dimensions:	Pages 8-9-10-11
Model coding:	Page 12

Description:

Hydraulic foot pedal series PH are proportional remote control operating by the principle of the direct acting pressure reducing valves.

They can work up to 100 bar supply pressure and a maximum 60 bar control pressure, flow range from 5 to 15 l/min; they are suitable for the remote pilot of main directional control valves, proportional valves, servo controls of variable displacement hydraulic pumps and motors, hydraulic clutches and hydraulic brakes.

The energy consumption is extremely low, very little maintenance is needed, the anti-oscillation system of the control lever and the reduced operating force optimize the operator's comfort and the working sensitivity.

The robust control device, the galvanized cast iron body, the wide range of metering curves, the possibility to assemble all our range of multifunction ergonomic handles with on-off and proportional hall effect rollers, the availability of straight and bent rubber boots, the check valve block for translation control, make this product flexible and reliable for the heaviest application: from agricultural to earth moving machine, from the naval to industrial applications.

Technical features:

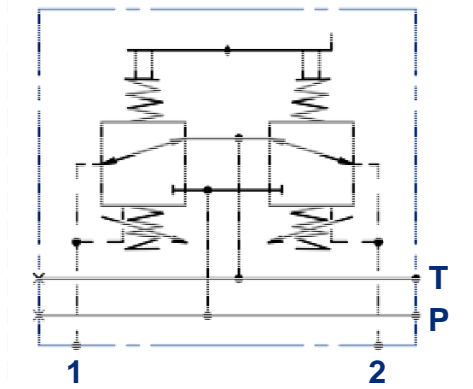
Minimum input flow:	5 l/min
Maximum input flow:	15 l/min
Maximum input pressure (P):	100 bar
Maximum output pressure (1,2,3,4):	60 bar
Maximum tank counter pressure (T):	3 bar
Maximum hysteresis	0,5 bar
Internal leakage:	1,5 ÷ 3,0 cc/min @ 30 bar
Fluids:	Mineral hydraulic oils HL, HLP DIN 51524
Fluid temperature range:	- 20 ÷ + 80 °C
Ambient temperature range:	- 40 ÷ + 60 °C
Fluid viscosity range:	10 ÷ 300 cSt
Fluid contamination class:	21/16/13 ISO 4406
Body material:	Cast iron
Plunger materials:	Stainless steel
Plunger guide material:	Brass
Body surface treatment:	Galvanization
Ports:	1/4" ISO 228/1; 9/16"-18 UNF-2B ISO 11226

The data and the technical features in this catalogue are not binding. The manufacturer reserves the right to carry out modifications, by its unquestionable judgement and without prior notice, in order to improve its products. The manufacturer is not responsible for damage to people or properties caused by an improper use of the product.

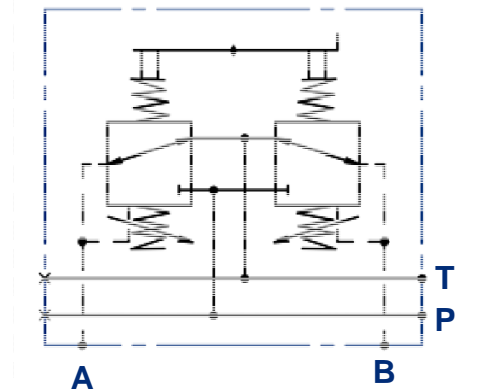
Internal hydraulic circuit:

Rocker pedal

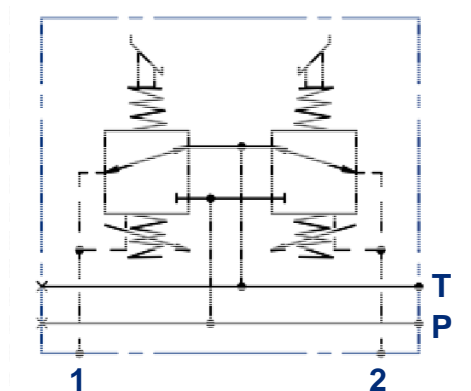
Series PHR



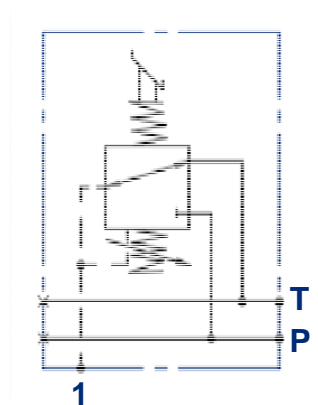
Series PHRS



Double pedal series PHD



Single pedal series PHS



Metering curves:

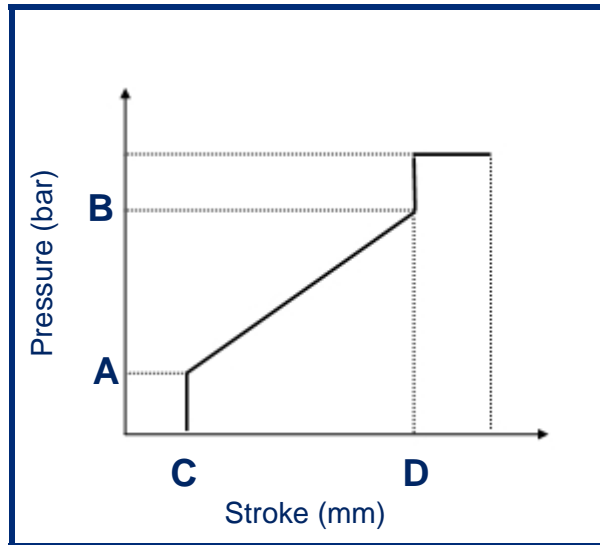


Diagram and metering curve specification type **A**

METERING CURVE CODE		A01	A02	A03	A04	A05	A06	A07	A08	A09	A10	A11	A12	A13	A14	A15
Press. (bar)	A	5,8	5,0	2,0	6,0	0,0	4,0	5,0	2,0	5,0	2,0	4,0	11,5	10,0	7,0	7,5
	B	19,5	25,0	13,0	40,0	4,0	17,0	15,0	18,0	20,0	8,0	10,0	32,0	20,0	17,0	29,0
Stroke (mm)	C	1,5	1,5	1,5	1,5	1,5	1,5	1,5	1,5	1,5	1,5	1,5	1,5	1,5	1,5	1,5
	D	7,5	7,5	7,5	7,5	7,5	7,5	7,5	7,5	6,0	7,5	7,5	7,5	7,5	7,5	7,5
METERING CURVE CODE		A16	A17	A18	A19	A20	A21	A22	A23	A24	A25	A26	A27	A28	A29	A30
Press. (bar)	A	6,0	0,0	4,0	6,0	8,0	5,0	5,8	6,8	5,8	4,5	2,8	8,0	3,0	8,0	5,8
	B	22,0	20,0	16,0	20,6	28,0	20,5	18,3	23,5	19,2	14,5	20,8	34,0	16,2	27,6	15,5
Stroke (mm)	C	1,5	1,0	1,5	1,5	1,5	1,5	1,5	1,0	1,5	1,0	1,5	1,5	1,5	1,5	1,5
	D	7,5	7,5	7,0	7,0	7,5	8,0	8,0	7,5	9,5	5,0	10,0	7,5	7,5	10,0	7,5
METERING CURVE CODE		A31	A32	A33	A34	A35	A36	A37	A38	A39	A40	A41	A42	A43	A44	
Press. (bar)	A	5,7	7,0	10,8	0,0	5,8	7,4	7,1	7,5	6,6	6,5	5,9	6,6	3,0	14,5	
	B	25,7	15,5	27,5	28,0	24,0	21,0	18,8	17,7	16,4	11,6	17,4	16,3	22,2	26,9	
Stroke (mm)	C	1,5	1,2	1,0	1,5	1,5	1,5	1,5	1,5	1,5	1,5	1,5	1,5	1,5	1,0	
	D	7,5	7,5	7,5	7,5	9,5	7,5	7,0	7,5	7,5	7,5	7,5	9,5	7,5	7,5	

Metering curves:

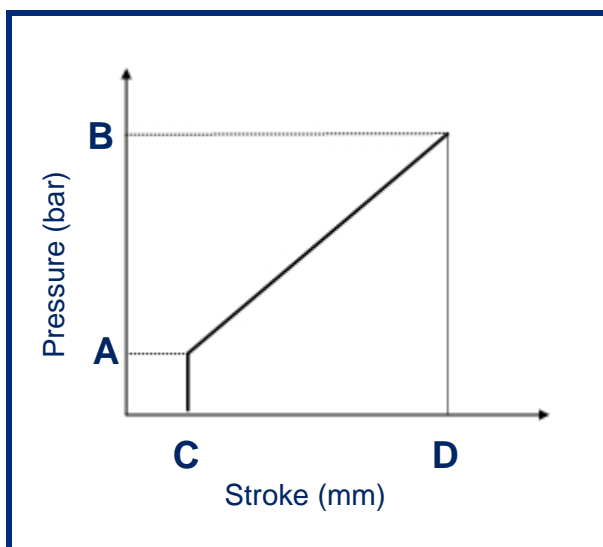
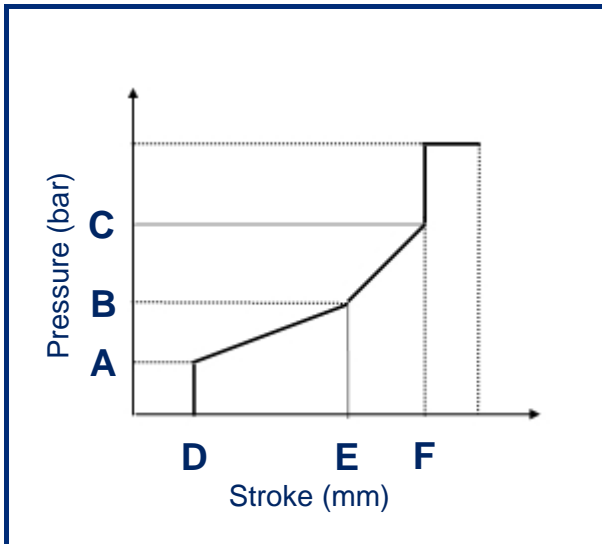


Diagram and metering curve specification type **B**

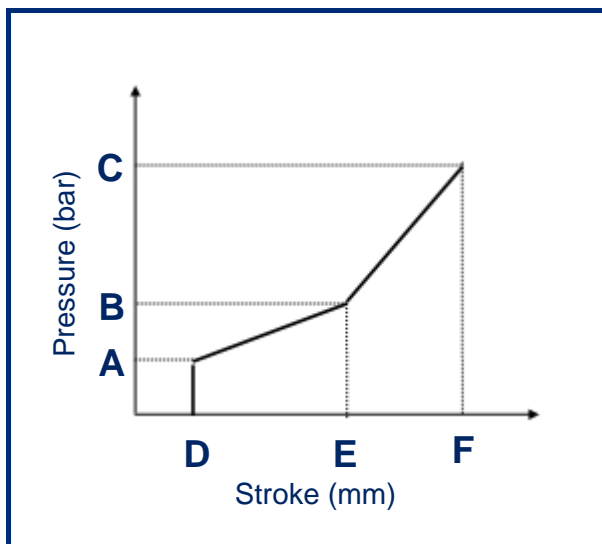
METERING CURVE CODE		B01	B02	B03	B04	B05	B06	B07	B08
Press. (bar)	A	5,0	5,0	5,0	2,0	7,5	5,0	4,0	3,0
	B	22,0	19,0	16,0	16,5	32,5	20,0	10,5	14,5
Stroke (mm)	C	1,5	1,5	1,5	1,5	1,0	1,0	1,5	1,5
	D	8,0	8,0	8,0	8,0	8,0	8,0	8,0	8,0
METERING CURVE CODE		B09	B10	B11	B12	B13	B14	B15	B16
Press. (bar)	A	6,0	2,0	7,2	8,3	8,0	6,0	10,4	6,5
	B	24,3	19,3	21,3	22,4	22,8	23,0	25,5	12,0
Stroke (mm)	C	1,0	1,5	1,0	1,0	1,0	1,5	1,0	1,0
	D	8,0	8,0	7,5	7,5	7,5	8,0	7,5	8,0
METERING CURVE CODE		B17	B18	B19	B20	B21	B22	B23	B24
Press. (bar)	A	2,1	5,8	6,5	2,0	2,0	5,8	4,0	10,2
	B	20,3	27,0	12,0	8,5	13,7	16,4	18,0	25,1
Stroke (mm)	C	1,0	1,5	1,5	1,5	1,5	1,2	1,5	1,0
	D	8,0	8,0	8,0	8,0	8,0	7,7	8,0	8,0

Metering curves:



METERING CURVE CODE		C01	C02	C03	C04	C05
Pressure (bar)	A	2,0	3,0	7,0	7,0	5,0
	B	6,0	7,0	18,0	18,0	11,0
	C	15,0	16,0	27,0	27,0	18,0
Stroke (mm)	D	1,5	1,5	0,5	0,5	1,0
	E	5,0	5,0	4,8	6,3	5,0
	F	7,5	7,5	6,5	8,0	7,5

Diagram and metering curve specification type **C**

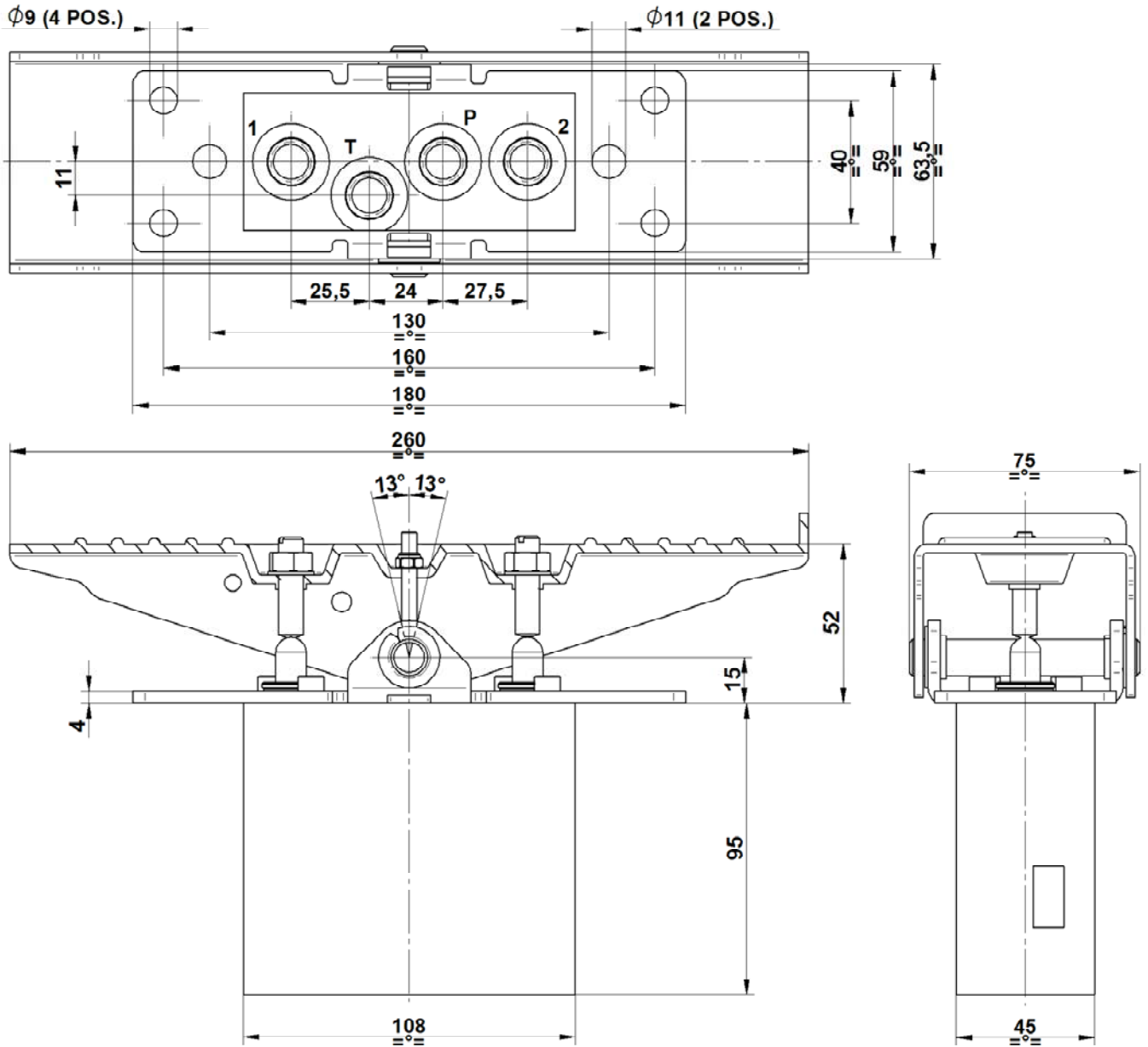


METERING CURVE CODE		D01	D02
Pressure (bar)	A	2,0	4,2
	B	6,0	9,0
	C	15,0	22,0
Stroke (mm)	D	1,5	1,0
	E	5,0	5,0
	F	8,0	8,0

Diagram and metering curve specification type **D**

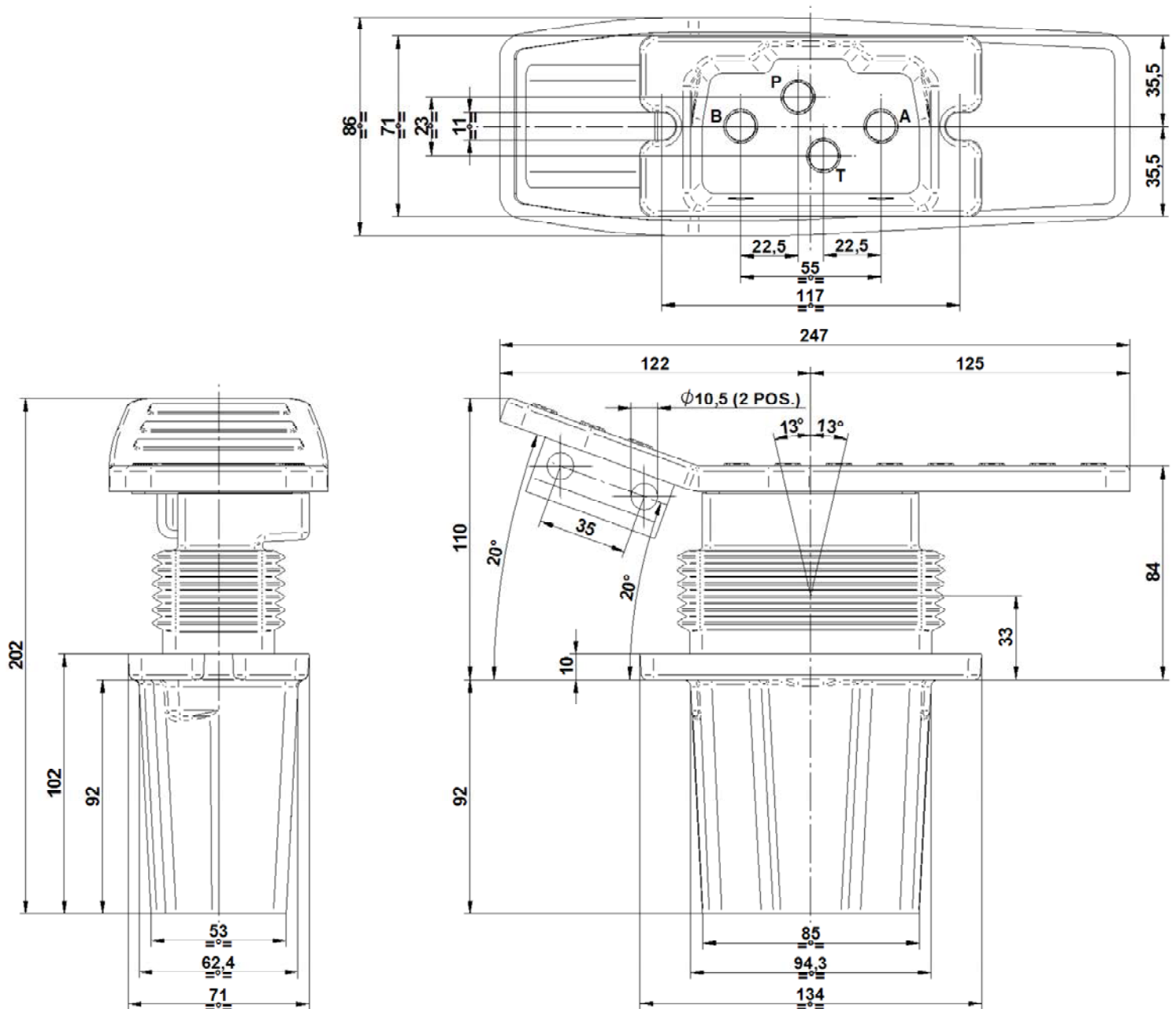
Overall dimensions:

Rocker pedal series PHR



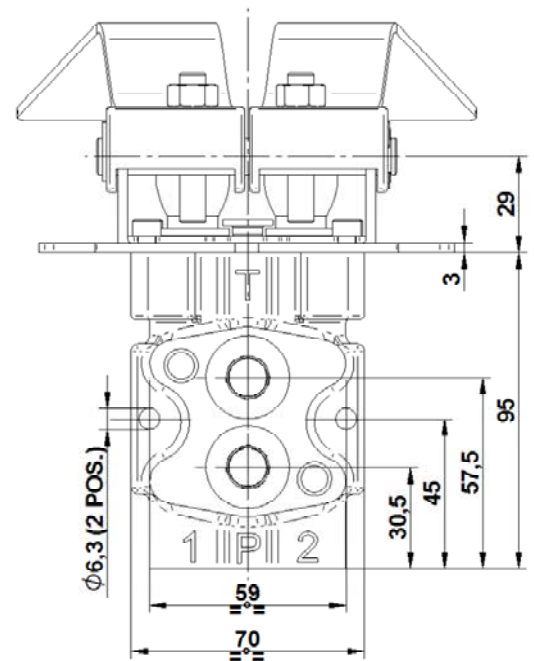
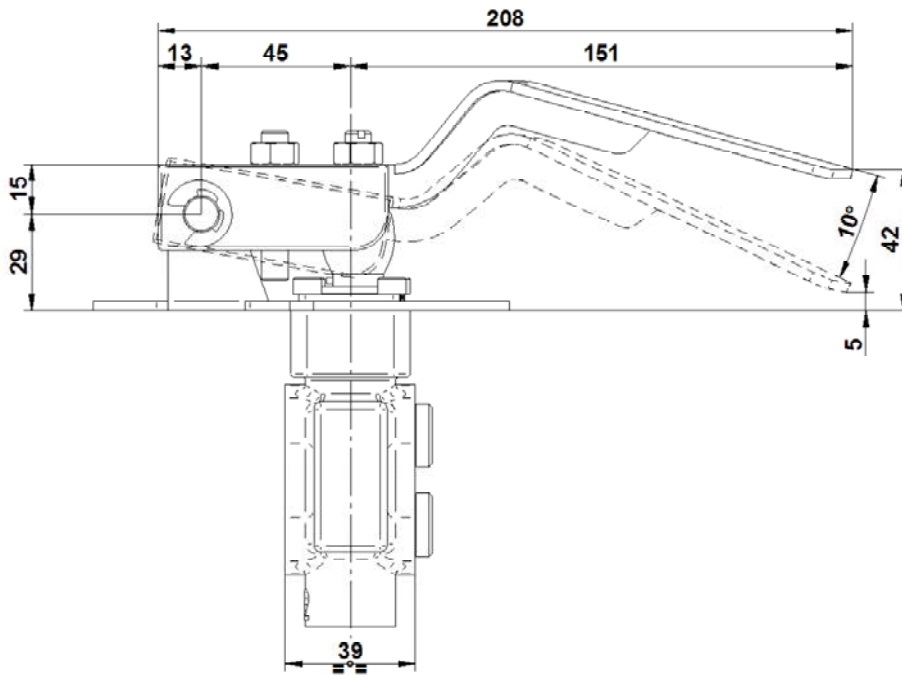
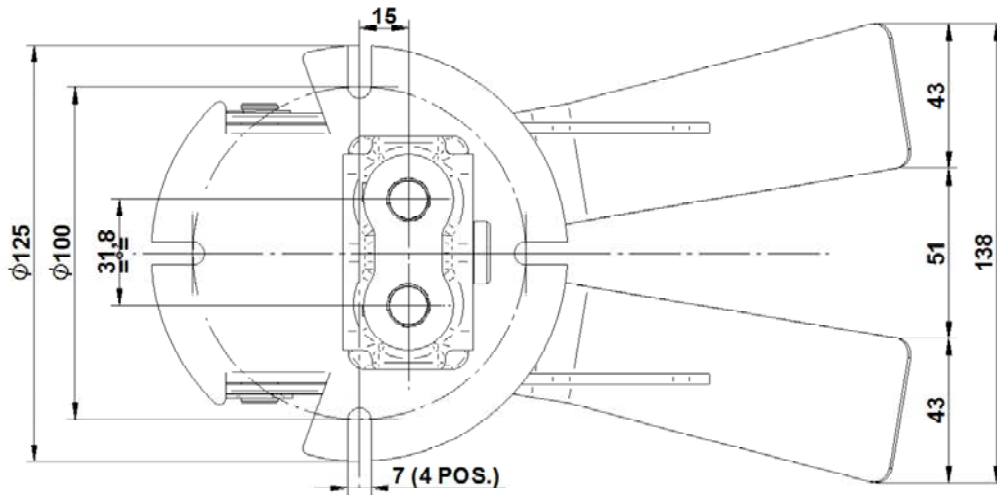
Overall dimensions:

Rocker pedal series PHRS with rubber boot protection



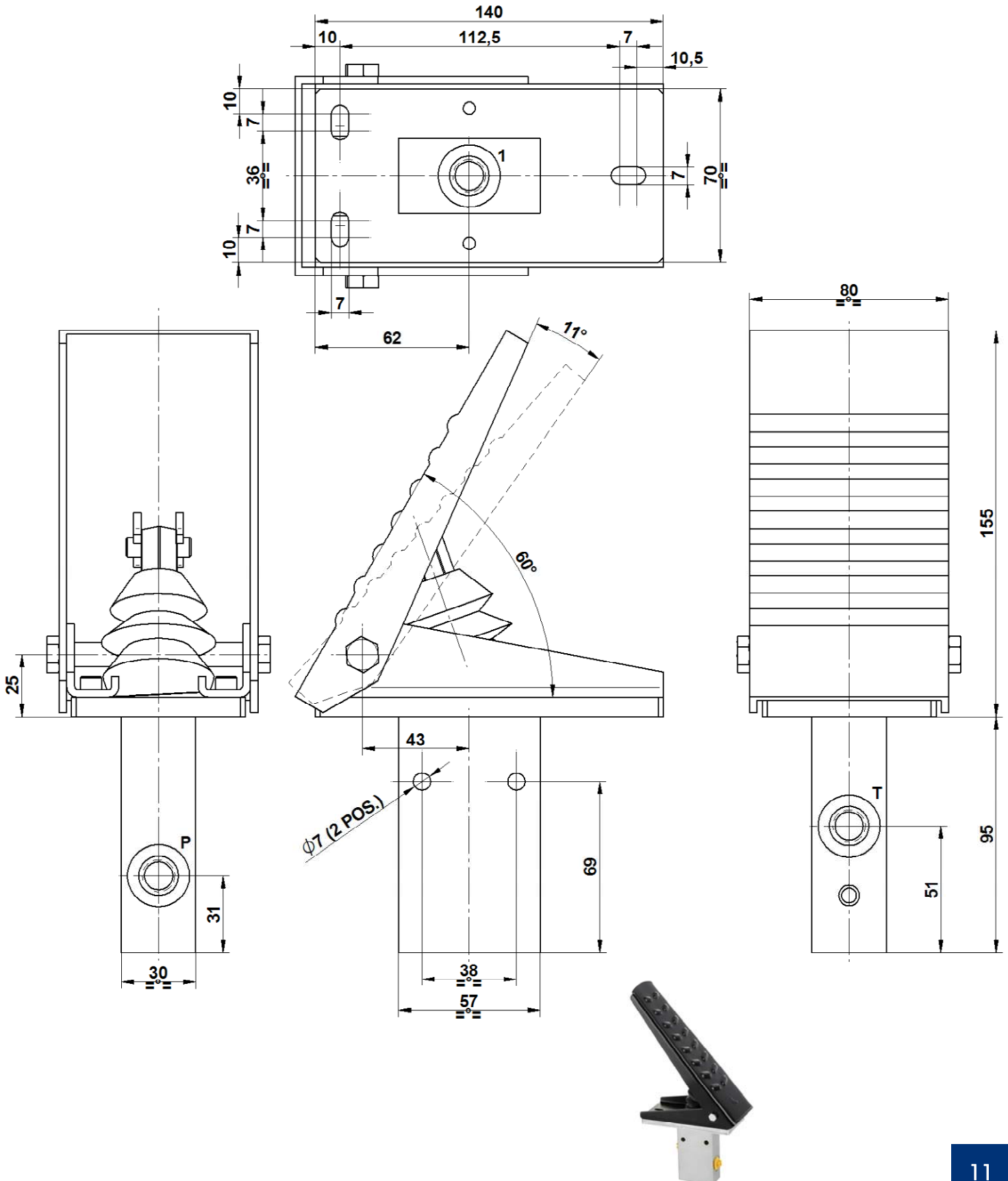
Overall dimensions:

Double pedal series PHD

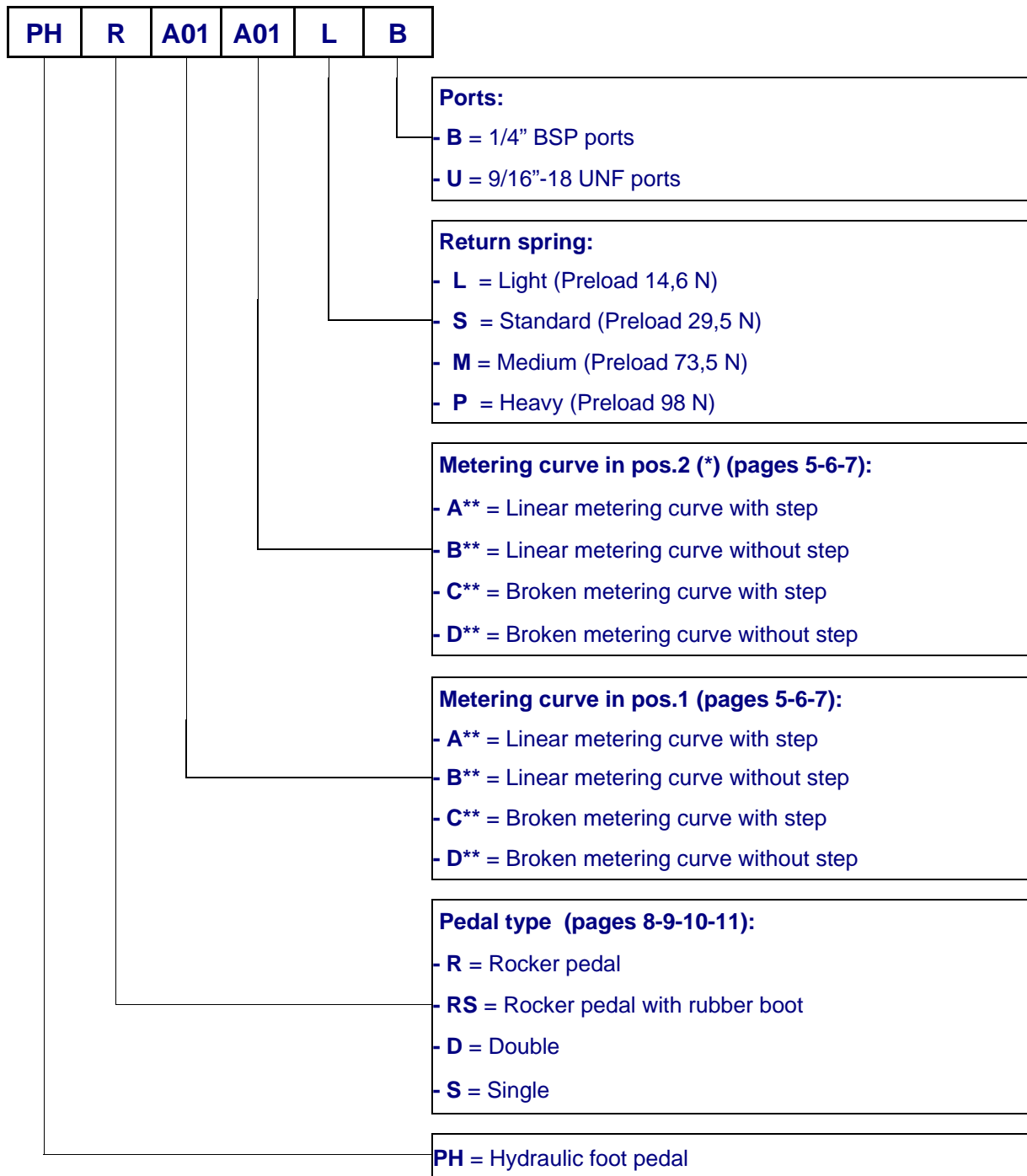


Overall dimensions:

Single pedal series PHS



Model coding:



* Omit for single pedal or if both metering curves in pos,1 and 2 are the same

** Replace with the metering curve number shown in the tables

Design and production of remote control components & systems

The comprehensive range includes the following manufactured and marketed equipment:

- Hydraulic pumps and motors
- Directional control valves
- Proportional pressure reducing valves
- Hydraulic, pneumatic and electric joysticks
- Radio controls and electronic controllers
- Control pads, dashboards and armrests
- Ergonomic, cylindrical and palm grips
- Electro-hydraulics pilot blocks
- Hydraulic filters
- heat exchangers and cooling systems
- Fluid monitoring and diagnostic equipment
- Bell housings, driving flanges & elastic couplings



Fluidea



Registered Office:

Via Poggio,14 I-41014 Castelvetro di Modena
Tel.+39 059 741007 - Fax +39 059 8741652
info@fluidea.net - www@fluidea.net

Operating Plant:

Via Magazzino, 2586 I-41056 Savignano S/P (MO)
Tel. +39 059 8635156 - Fax +39 059 8635157
vendite@fluidea.net - progetti@fluidea.net